



BROCHURE

MINING SOLUTIONS

English Edition



MTG

No limits innovation

TABLE OF CONTENTS

About MTG	4
Specialists in G.E.T.	6
Our Strengths, Your Benefits	8
Mining Solutions	10
Product Range	20
MTG CAST LIPS / TERRA	20
MTG SYSTEMS	22
TWINMET	22
STARMET	26
STARMET ROPE SHOVELS	28
PROMET	30
RIPMET	34
MTG PLUS	36
PLUS LHD	37
PLUS Shrouds	38
Testimonials	40

[*] Disclaimer

[1] The brands identified in this document do not belong to METALOGENIA S.A. and this organization refers to them only to identify the destination of its products, without there being any relationship between METALOGENIA S.A. and the legitimate owners of any such brands. The review and product performance information included in this document were provided by the client and in no way represent or imply warranty of any kind. The performance of MTG products will vary depending on many conditions that in no case can be neither controlled nor certified by METALOGENIA S.A. (machine type and use, installation and assembly procedures, materials and conditions of wear, product misuse).

[2] METALOGENIA S.A. is the sole holder of the brands that identify its products. Similarly, METALOGENIA, S.A. holds all the industrial property rights that may be derived from its products, such as designs, utility models or patents. The unauthorized use thereof may constitute a violation of METALOGENIA S.A.'s industrial property rights. The brands identified with an asterisk do not belong to METALOGENIA S.A. and this organization refers to them only to identify the destination of its products, without there being any relationship between METALOGENIA S.A. and the legitimate owners of any such brands.



MTG IN NUMBERS

With more than 65 years' experience, we are specialists in the design and manufacture of high quality ground engaging tools for earth-moving machinery. Our distribution network of more than 400 distributors, based on long-term relationships, lets us operate in more than 60 countries all over the world.

65+

YEARS

experience in the design and manufacture of high quality ground engaging solutions for earth-moving machinery.

400+

DISTRIBUTORS

comprise our distribution network worldwide, based on long-term relationships.

60+

COUNTRIES

are operated by our distributors, letting us be the global company we want, providing local service to our end users.

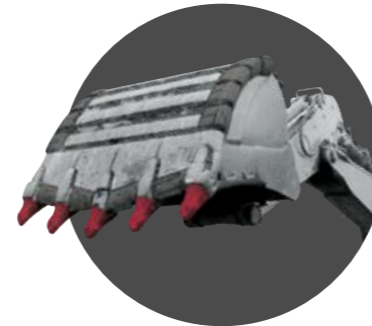
MTG IN THE WORLD

An international projection, with a regional commitment.

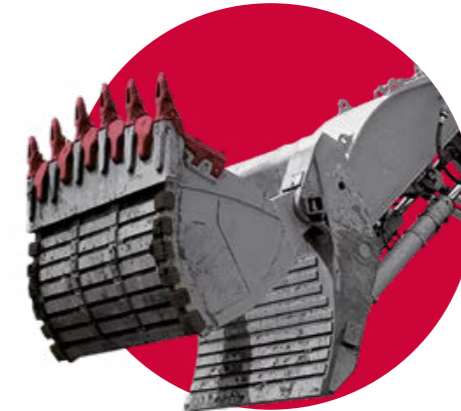


SOLUTIONS WE PROVIDE

MTG gained a solid reputation in the Mining, Construction and Dredging industries by constantly challenging market standards and answering customer demands. Our deep knowledge in wear solutions has positioned us as a G.E.T. specialist, for our MTG branded products and for leading OEMs, providing custom-built solutions to satisfy their needs.



CONSTRUCTION SOLUTIONS



MINING SOLUTIONS

MTG provides full bucket solutions for a wide range of mining equipment. Find the best G.E.T. for your specific machine and mining requirements.



DREDGING SOLUTIONS



EXCAVATOR
CAST LIP



EXCAVATOR
PLATE LIP



WHEEL LOADER



DOZER



ROPE SHOVEL



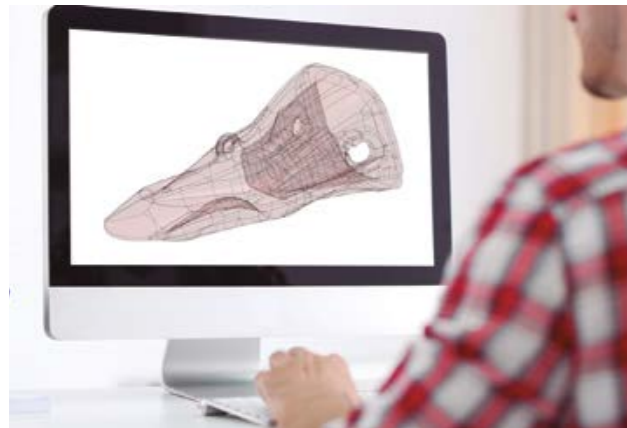
DRAGLINE



LHD

SPECIALISTS IN G.E.T.

Each application and site conditions require specific G.E.T. solutions to ensure safety, reliability, durability and the utmost performance in operating efficiency. To that end, both Product Engineering and Product Manufacturing are a key factor.



Product Engineering

Our premium positioning is the result of decades of experience and deep engineering investigations. All products created by MTG have been ideated and developed with a customer-centric mindset and through a very strict process leveraging its engineering expertise with state-of-the-art tools.

Product Manufacturing

Our own production plant, inaugurated in 2012, is one of the key pieces in MTG's commitment to quality and competitiveness in the G.E.T. market. The foundry, which is one of the most modern in Europe, is equipped with the most innovative technological facilities.

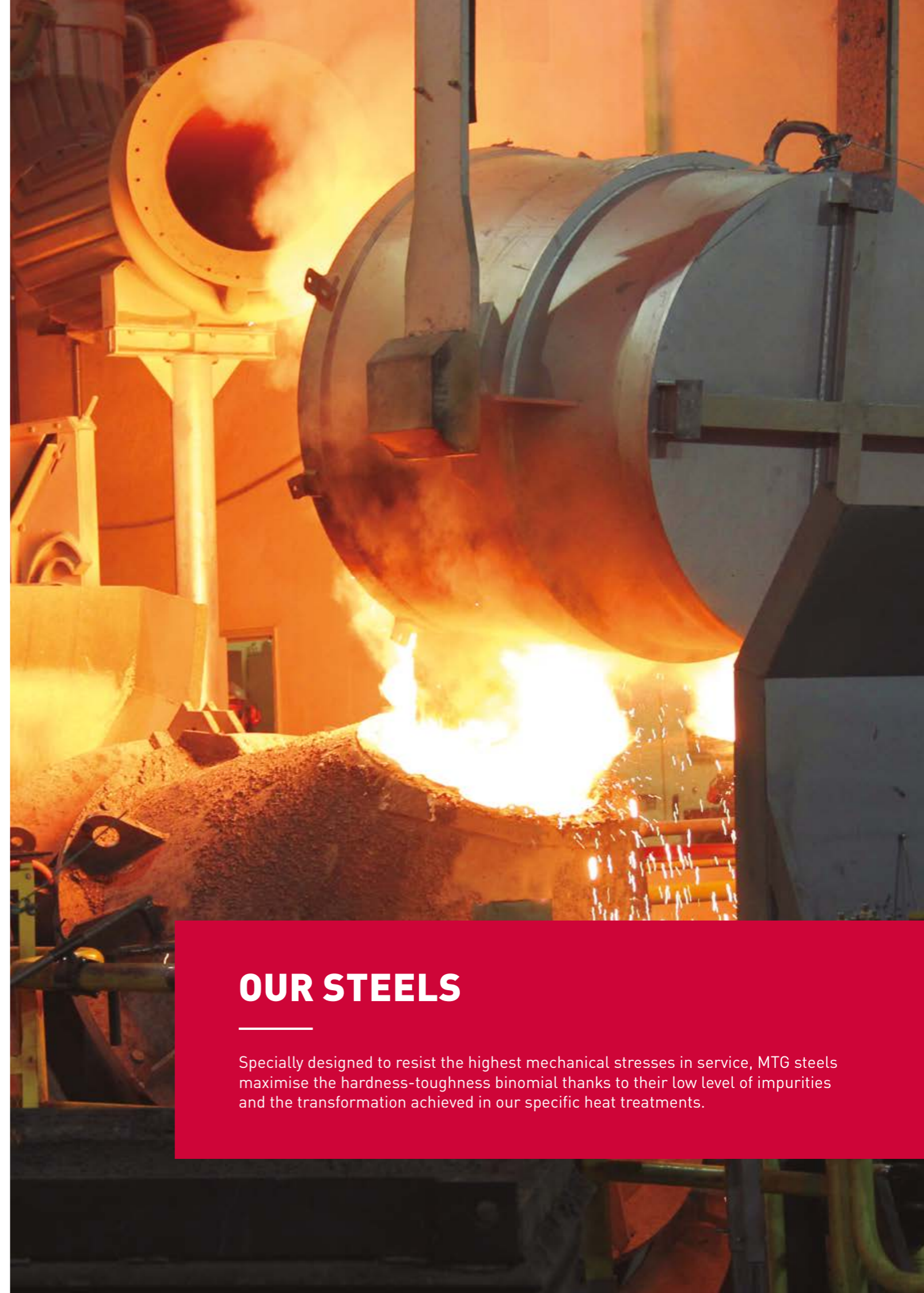


Technical Service

MTG's Technical Services Team is responsible for technical trainings, on-site visits, product recommendations, bucket layouts, G.E.T. inspections, welding & rebuilding instructions, G.E.T. performance assessments, productivity and efficiency field comparisons, among other duties.

Digital Solutions

MTG's strong customer-centric vision and its technology and engineering expertise is evolving towards the development of a suite of digital solutions that will make mining operations safer and more efficient.



OUR STEELS

Specially designed to resist the highest mechanical stresses in service, MTG steels maximise the hardness-toughness binomial thanks to their low level of impurities and the transformation achieved in our specific heat treatments.

OUR STRENGTHS, YOUR BENEFITS!

To meet our end users needs, MTG has established a holistic approach consisting of various product and service-oriented strengths.

It is not what we say, but what our customers say about us.



**HIGHER
PRODUCTIVITY**



**MAXIMUM
RELIABILITY**



**SAFE & QUICK
MAINTENANCE**



**EFFICIENCY &
COST REDUCTION**

A Tooth for Each Application



We provide a wide range of products, making your machine more efficient as a result. The reason for this is that each tooth is specifically designed for each application, depending on the level of penetration, abrasion and impact required.

The optimal wear material ratio of each of our teeth designs make them last longer, improving your machine's performance and reducing the operating costs.



Designs



The self-sharpening designs allow our G.E.T. a high degree of penetration during all their wear life.

Teeth are designed to increase the adapters' protection, minimising the need for repairs.



Specialised Technical Support



Our Technical Support Engineers will assist you to better configure your full bucket protection for minimum blade exposure to impacts and abrasions.



MTG Steels



Our steels are designed to withstand the highest levels of mechanical stress and have proved robustness and resistance, even in the most demanding applications.

The low level of impurities and the structure developed using specific heat treatments, optimise hardness/toughness ratio, avoiding breakages.



Locking System



Our hammerless locking systems provide excellent retention, avoiding tooth loss.

The assembly and disassembly of teeth is quick and safe thanks to our hammerless locking system, which provides the utmost in safety and efficiency while performing our product's routine change-outs.



MINING SOLUTIONS

MTG provides full bucket G.E.T. solutions for all earth-moving mining machines.

PRODUCT CATEGORY	PRODUCT FAMILY		EXCAVATOR		WHEEL LOADER	DOZER	ROPE SHOVEL	DRAGLINE	LHD
			CAST LIP	PLATE LIP					
MTG CAST LIPS Cast lip solutions for mining excavators.	TERRA The most advanced and versatile cast lip option for standard to high performance applications. ↗ p.20		●						
	TWINMET The 3-part tooth system for hydraulic excavators and draglines offers maximum durability even for the toughest mining conditions. ↗ p.22		●	●				●	
	STARMET Our proven hammerless tooth-adapter system guarantees increased productivity and maximum reliability for excavators, wheel loaders and draglines even in the roughest and toughest mining conditions. ↗ p.26			●	●			●	
	STARMET ROPE SHOVELS STARMET ROPE SHOVELS is a product line specially orientated on the various demands of Rope Shovel applications. ↗ p.28						●		
	PROMET Reliable bucket protection system for mining machinery. ↗ p.30		●	●	●		●	●	
	RIPMET Optimum penetration and longer service life for your dozer in the most demanding ripping applications. ↗ p.34						●		
MTG SYSTEMS Our most advanced tooth-adapter and shroud systems with intelligent lockings that provide a substantial added value to your mining operations.	Rope Shovel Shrouds ↗ p.36						●		
	LHD Lip Shrouds ↗ p.37								●
	Bolt-on Loader Shrouds ↗ p.38				●				
	Complementary Shrouds Weld-on Lip, Wing and Heel Shrouds. ↗ p.39		●	●	●				●
	DRP Teeth / Ripper ↗ p.39			●	●	●			
MTG PLUS Complementary and direct replacement products made of our high-quality steels.									

CAST LIP EXCAVATOR

MACHINE EXAMPLES*

CAT6030 / 6040
PC4000 / 5000 / 8000
EX3600 / 5600

PLATE LIP EXCAVATOR

MACHINE EXAMPLES*

CAT6015 / 6018
PC1250 / PC2000
EX1200 / 1900 / 2600



TERRA + TWINMET + PROMET + PLUS

Most advanced and versatile Cast Lip option, from standard to high performance applications, in combination with a robust tooth and easy to assemble shroud systems.



TWINMET Retrofit

Try our robust 3-part tooth system as a retrofit option and the results will convince you to shift to MTG cast lips.



STARMET + PROMET + PLUS

Your best hammerless option for high performance excavator applications with a versatile tooth system and easy to assemble shrouds.



STARMET + PROMET + PLUS

Your choice if you like to combine our versatile tooth system with flexible, weld-on lip shrouds.



TWINMET + PROMET + PLUS

For your bigger excavators with more BOF we recommend our robust 3-part tooth system in combination with easy to assemble shrouds.

MTG CAST LIPS
TERRA → p.20

MTG SYSTEMS
TWINMET → p.22 STARMET → p.26 PROMET → p.30

MTG PLUS
→ p.39



WHEEL LOADER

MACHINE EXAMPLES*

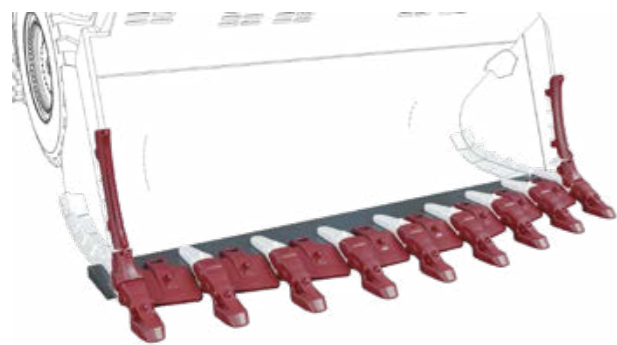
CAT992 / 993 / 994
 WA800 / 900 / 12000
 L-950 / L-1150 / L-1350
 L-1850 / L-2350



DOZER

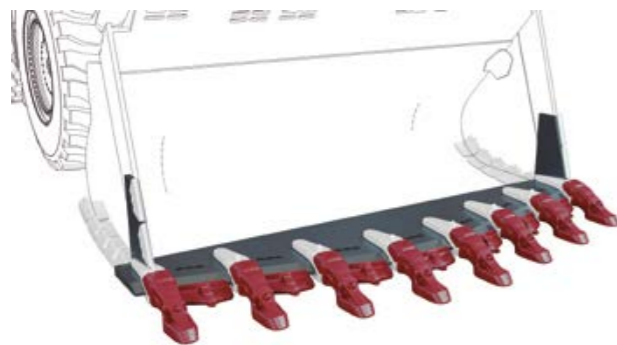
MACHINE EXAMPLES*

D8T / D9T
 D10T2 / D11T
 D155AX-8 / D375-8
 D475A-5



STARMET + PROMET + PLUS

Your best option for high performance loader applications with a versatile tooth system and easy to assemble shrouds.



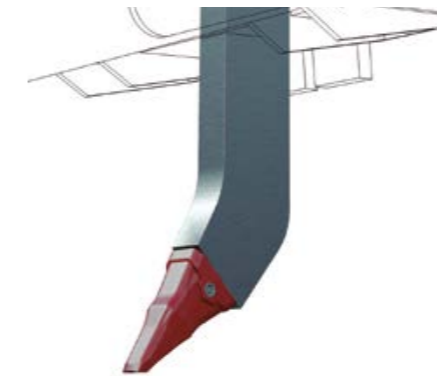
STARMET + PLUS

Your choice if you like to combine our versatile tooth system with flexible, bolt-on and weld-on shrouds.



RIPMET

The advanced ripper solution with hammerless locking system for reduced downtimes and more safety.



PLUS

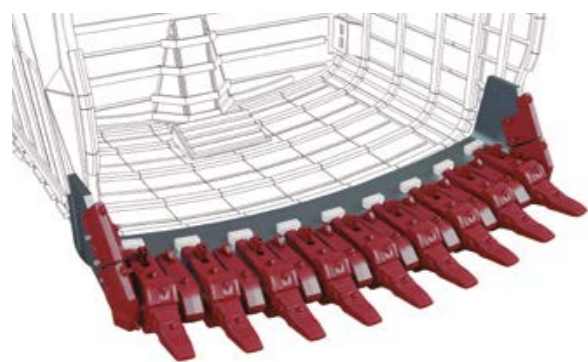
Our alternative ripper solution adapted for standard Caterpillar* and Komatsu* ripper shanks.



ROPE SHOVEL

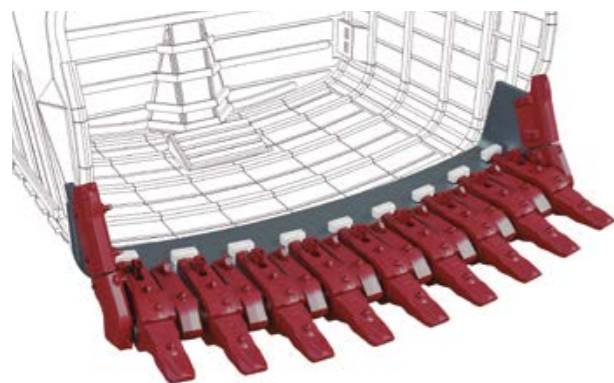
MACHINE EXAMPLES*

P&H2300 / 2800 / 4100
 CAT7395 / 7495
 TZ W-55



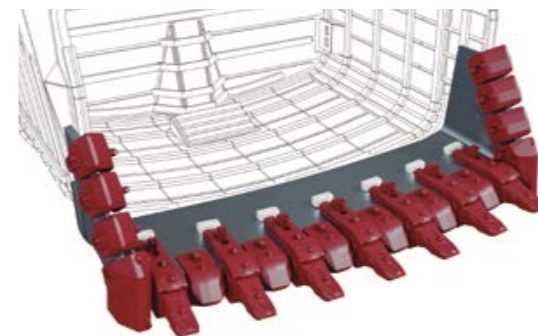
STARMET ROPE SHOVELS + PLUS

For Rope Shovels like the CAT7495* with HR dipper design.



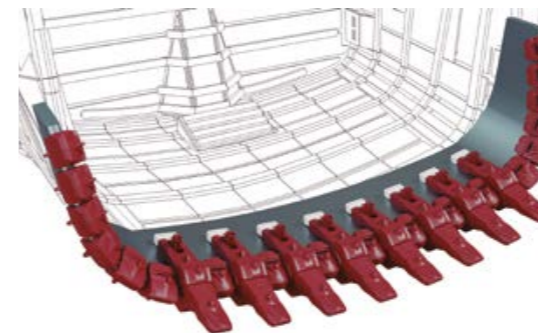
STARMET ROPE SHOVELS + PLUS

For Rope Shovels like the CAT7495* or CAT7395* with BI and BII dipper designs.



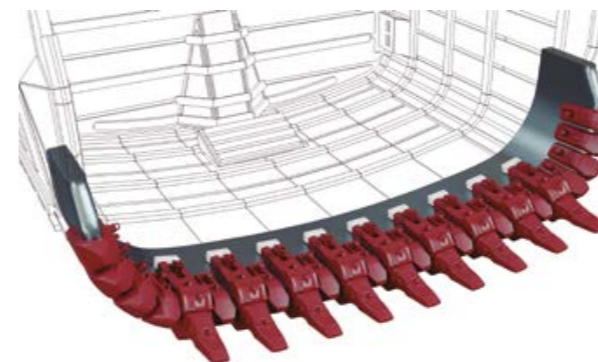
STARMET ROPE SHOVELS + PLUS

For Rope Shovels like the P&H4100* or TZ WK-55* with HR dipper design.



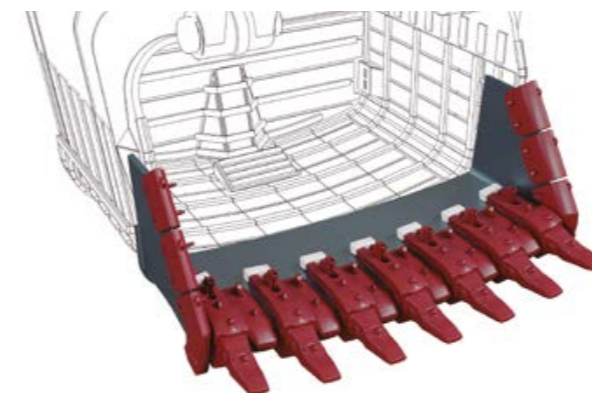
STARMET ROPE SHOVELS + PROMET

For Rope Shovels like the P&H4100* with BK* wide radius dipper design.



STARMET ROPE SHOVELS + PLUS

For Rope Shovels like the P&H4100* with WH12* wide radius dipper design.



STARMET ROPE SHOVELS + PLUS

For Rope Shovels like the P&H2800* or P&H2300* with HR dipper design.

MTG SYSTEMS

STARMET ROPE SHOVELS → p.28

PROMET → p.30

MTG PLUS

→ p.36



DRAGLINE

MACHINE EXAMPLES*

Marion 7900 / 8400 / 195M
BE 650 / BE1370W
CAT 8200



UNDERGROUND LHD

MACHINE EXAMPLES*

Atlas Copco ST14
Sandvik LH410
CAT R1600H



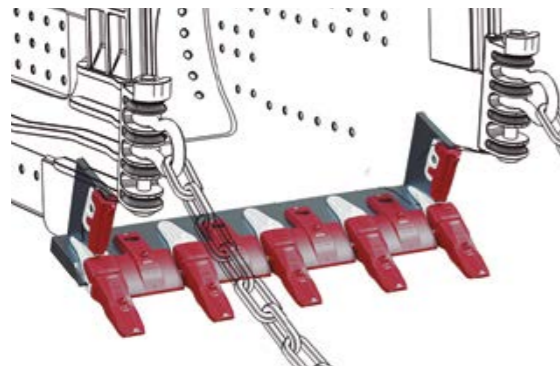
TWINMET

Our robust 3-part tooth system with weld-on noses for your Dragline bucket.



TWINMET Retrofit

Try our robust 3-part tooth system as a retrofit option and the result will convince you to shift to more MTG products.



STARMET + PROMET

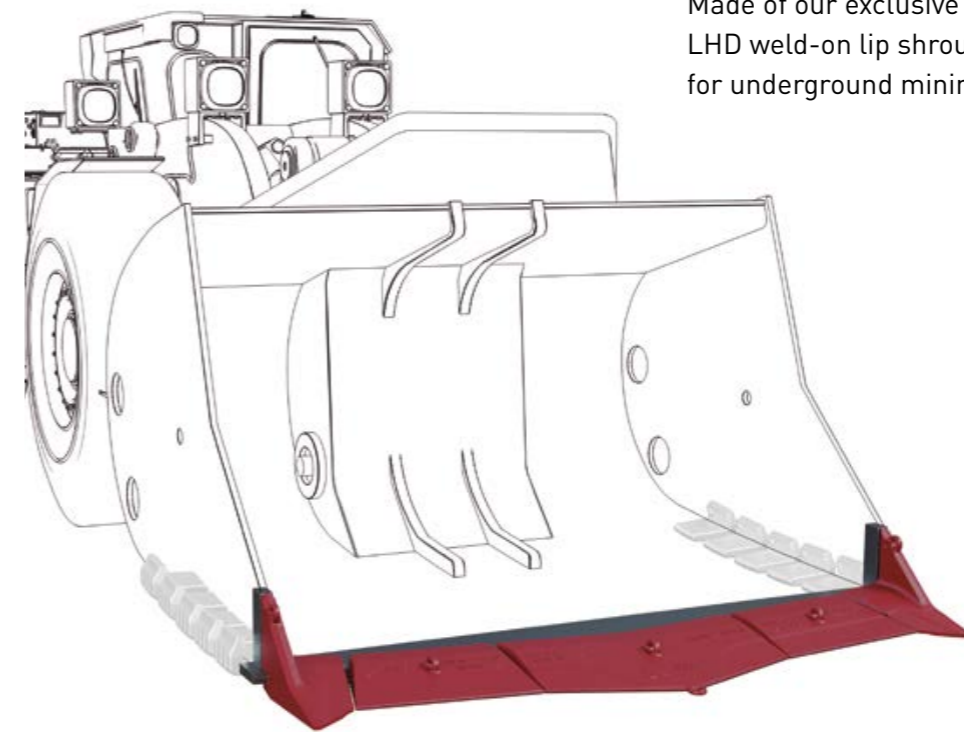
The solution for middle and small size Draglines based on our versatile tooth system and easy to assemble shrouds.

MTG SYSTEMS

TWINMET ↗ p.22 STARMET ↗ p.26 PROMET ↗ p.30

PLUS LHD + PLUS

Made of our exclusive and extra resistant steel, LHD weld-on lip shrouds are especially designed for underground mining.

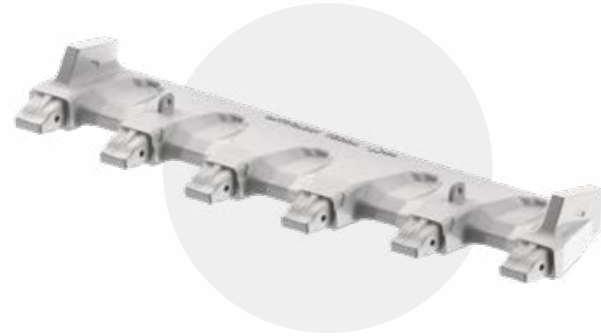


MTG PLUS

LHD ↗ p.37

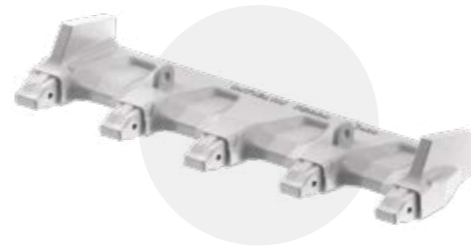


CAST LIP SOLUTIONS



Cast Lips 148" - 201"
for mining excavators of 450 - 1.000 t

The most advanced cast lip option for excavators of >450 t and for increased productivity in heavy-mining applications.



Cast Lips 116" - 140"
for mining excavators of 250 - 400 t

Smaller sizes of the field-proven TERRA series are an alternative to plate lip G.E.T. solutions.



Watch our 3D Video Animation!
CAST LIPS TERRA + TWINMET + PROMET

Benefits and Features



HIGHER PRODUCTIVITY

TERRA's **slim design** along with the self-sharpening design of its equipment, guarantee a steady penetration along their wear life.

REDUCED OPERATIONAL COSTS

The **optimized design** allows better distribution of the wear material. As a result, the **weight reduction** provides proven fuel and cost savings.

LONGER OPERATIONAL TIME

Large contact areas and **smooth transitions** for lip shrouds reduce plastic deformation at critical areas, preventing the generation of cracks.

SHORT DOWNTIMES

TERRA's critical areas are optimally protected by MTG's **specific G.E.T.** to increase the cast lip's wear life thus reducing rebuild needs.

Full Bucket Wear Packages

TERRA + TWINMET + PROMET



Heavy-Duty Option



Penetration Option



The combination of the robust TWINMET 3-part tooth system and PROMET lip shrouds offers an efficient and optimum wear protection. Depending on your requirements, the G.E.T. package can be optimized for penetration or heavy-duty applications.

The 2-part TWINMET tooth system and PROMET shrouds complement the smaller cast lip sizes to offer optimal bucket penetration. For more abrasive applications, an optional wear cap provides additional protection.

TERRA Range Overview

TWINMET SIZE	CAST LIP TERRA	REFERENCE	NUMBER OF POSITIONS	MACHINE CATEGORY	MACHINE EXAMPLES
TM1	116" / 2.950 mm	1MT1CL116 TERRA	5	250-400 t	
TM1	136" / 3.450 mm	1MT1CL136 TERRA	5	250-400 t	HITACHI* EX3600 (FS) KOMATSU* PC4000 (FS) CATERPILLAR* 6040 (BH)
TM1	140" / 3.560 mm	1MT1CL140 TERRA	6	250-400 t	
TM5/4 TM5/6	148" / 3.760 mm	1MT5CL148 TERRA	5	450-700 t	
TM5/4 TM5/6	163" / 4.150 mm	1MT5CL163 TERRA	5	450-700 t	HITACHI* EX5600-6 (BH) KOMATSU* PC5500-6 (BH) CATERPILLAR* 6050 / 6060 (FS)
TM5/4 TM5/6	169" / 4.300 mm	1MT5CL169 TERRA	6	450-700 t	
TM5/4 TM5/6	185" / 4.700 mm	1MT5CL185 TERRA	6	450-700 t	KOMATSU* PC7000 (FS)
TM7/4 TM7/6	169" / 4.300 mm	1MT7CL169 TERRA	5	650-1.000 t	
TM7/4 TM7/6	201" / 5.100 mm	1MT7CL201 TERRA	6	650-1.000 t	HITACHI* EX8000-6 (BH/FS) KOMATSU* PC8000 (BH/FS) CATERPILLAR* 6090 (FS)



TWINMET FOR CAST LIPS



TWINMET 1 for excavators of 250 – 400 t

The 2-part tooth system is especially designed for smaller TERRA cast lips of 116" and 136" that operate in terrains with low to medium level of abrasion and impact.

TWINMET 5 & 7 for excavators of >450 t

The original 3-part system in size 5 and 7 is made for TERRA cast lips and provides maximum productivity and reliability in highly abrasive terrains with high impacts.

TWINMET Retrofit for first TWINMET experiences

Try our TWINMET system with our square and octagonal shaped intermediate adapters to convince yourself and to shift to MTG cast lips.

Benefits and Features



MAXIMUM RELIABILITY

A reinforced nose and fitting design as well as large stabilization surfaces provide maximum **robustness and resistance** to heaviest loads and impacts.

REDUCED OPERATIONAL COSTS

The **symmetrical design** allows to reverse intermediate adapters and teeth. Flipping them extends their wear life.

SHORT AND SAFE DOWNTIMES

A **hammerless dual pin locking system** joins all three parts to one high performance tooth system and allows a quick and safe maintenance in any working conditions.

HIGHER PRODUCTIVITY

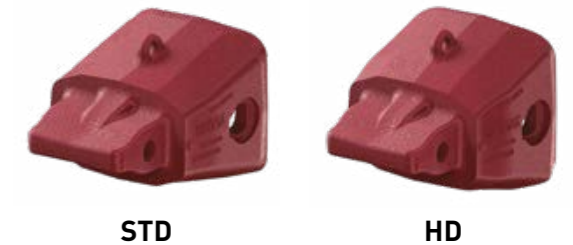
The **self-sharpening designs** allow our G.E.T. a high degree of penetration during all their wear life, keeping your machine's high performance and reducing the operating costs.

Find Your Tooth Design

SIZE	TWINMET 1				TWINMET 5 & 7			
TOOTH DESIGN								
	EXTRA (E)	EXTRA X (EX)	VECTOR (V)	EXTRA X (EX)	IMPACT (I)	PENETRATION (P)	UNIVERSAL (U)	DOUBLE VECTOR (W)
PENETRATION	●●○	●●○	●●●	●●○	●●●	●●●	●●○	●●●
ABRASION	●●●	●●●	●○○	●●●	●●○	●●○	●●○	●○○
IMPACT	●●○○	●●○○	●○○○	●●○○	●●●●	●●○○	●●○○	●●○○

Choose Your Intermediate Adapter

MTG offers two variants of intermediate adapters: Standard (STD) and Heavy-duty (HD). While the Standard version is more suitable for terrains that require high penetration, the heavy-duty option provides more resistance in terrains with high level of abrasion and impacts.



TWINMET Range for CAST LIPS / TERRA

TWINMET SIZES		TEETH	TOOTH LOCKING		INTERMEDIATE ADAPTER	INTERMEDIATE LOCKING		WELD-ON NOSE	REMOVAL TOOL
			PIN	RETAINER ⁴		PIN	RETAINER ⁴		
TM1	TM1	MT1E MT1EX MT1V	2MT1P	2MJ1 STR	-	-	-	1MT1WN	3MT3/4-1
	TM4	MT4EX MT4I MT4P MT4U MT4W	2MT4P 2MT4PSE	2MJ4 STR	5MT54 5MT54X 5MT56 ¹	-	-	-	3MJ
TM5	MT5U ³	-	-	2MT5P 2MT5PSE		2MJ5 STR	1MT5WN 1MT5WN-H		
TM 7/6	TM6	MT6EX MT6P MT6U MT6W	2MT4P 2MT4PSE	2MJ4 STR	5MT74 ² 5MT76 5MT76X	-	-	-	3MJ
	TM7	-	-	-		2MT5P 2MT5PSE	2MJ5 STR	1MT7WN	

¹ TWINMET 5/6 consists of an intermediate adapter that combines tooth size 6 with nose size 5.
² TWINMET 7/4 consists of an intermediate adapter that combines tooth size 4 with nose size 7.
³ MT5U is a solid tooth that does not require an intermediate adapter.
⁴ Retainer included in tooth and intermediate adapter but can also be ordered separately.



TWINMET FOR PLATE LIPS



TWINMET 1 for excavators of 250 – 400 t

The 2-part tooth-adapter system is especially designed for smaller mining excavators with a plate lip thickness of 140 mm.

TWINMET 3/2 for excavators of 350 – 500 t

The 3-part tooth-adapter system offers robustness and long wear life for excavators with a plate lip thickness of 140 or 160 mm.

Benefits and Features



MAXIMUM RELIABILITY

A reinforced nose and fitting design as well as large stabilization surfaces provide maximum **robustness and resistance** to heaviest loads and impacts.



REDUCED OPERATIONAL COSTS

The **symmetrical design** allows to reverse intermediate adapters and teeth. Flipping them extends their wear life.



SHORT AND SAFE DOWNTIMES

A **hammerless dual pin locking system** joins all three parts to one high performance tooth system and allows a quick and safe maintenance in any working conditions.



HIGHER PRODUCTIVITY

The **self-sharpening designs** allow our G.E.T. a high degree of penetration during all their wear life, keeping your machine's high performance and reducing the operating costs.

Find Your Tooth Design

SIZE	TWINMET 1			TWINMET 3/2		
TOOTH DESIGN						
	EXTRA (E)	EXTRA X (EX)	VECTOR (V)	EXTRA X (EX)	UNIVERSAL (U)	DOUBLE VECTOR (W)
PENETRATION	●●○	●●○	●●●	●●○	●●○	●●●
ABRASION	●●○	●●●	●○○	●●●	●●○	●○○
IMPACT	●●○○	●●●○	●○○○	●●●○	●●○○	●●○○

Choose Your Adapter Option

With the central (WC) and corner weld-on adapters (WL / WR) of size 1 and 3/2, TWINMET also becomes a solution for excavators of 250 to 500 t equipped with plate lip. It is the perfect option for those who prefer a plate lip solution for excavators with more break-out-force.



CENTRAL ADAPTER (WC)



CORNER ADAPTER (WL / WR)

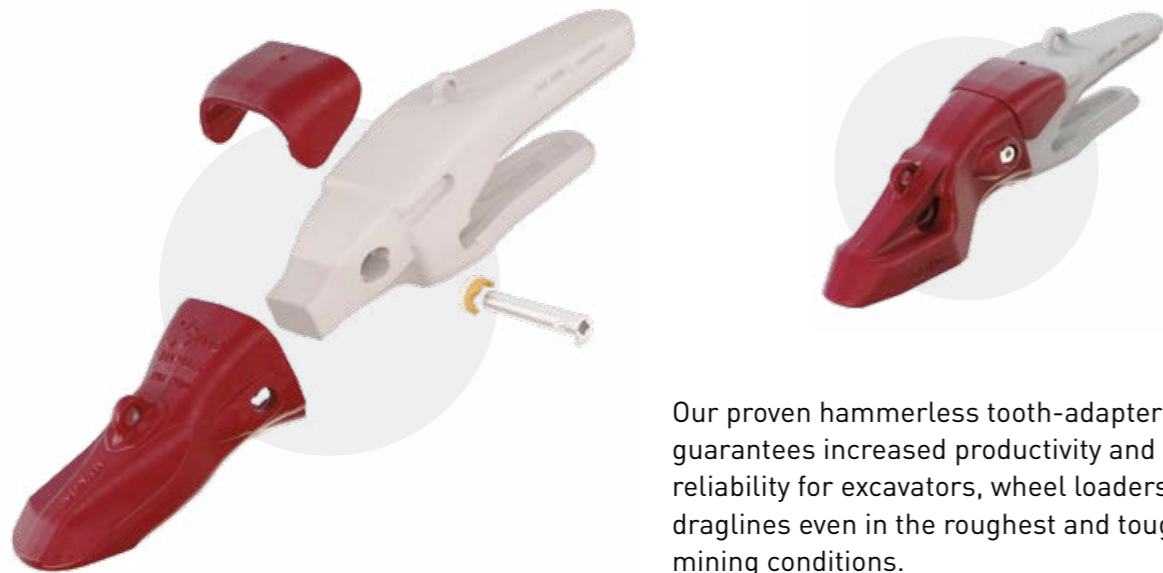
TWINMET Range for Plate Lips

TWINMET SIZES	TEETH	TOOTH LOCKING		INTERMEDIATE ADAPTER	INTERMEDIATE LOCKING		PLATE LIP ADAPTERS	WELD-ON NOSE	REMOVAL TOOL	
		PIN	RETAINER ¹		PIN	RETAINER ¹				
TM 1	TM1	MT1E MT1EX MT1V	2MT1P	2MJ1 STR	-	-	-	1MT1WC140 1MT1WL140 1MT1WR140	1MT1WN	3MT3/4-1
	TM2	MT2EX MT2U MT2W	2MT2P	2MJ2 STR	-	-	-	-	-	-
TM 3/2	TM3	-	-	-	5MT32	-	-	1MT3WC140 1MT3WC160 1MT3WL160 1MT3WR160	1MT3WN	3MT3/4-1
						2MT3P	2MJ3 STR			

¹ Retainer included in tooth and intermediate adapter but can also be ordered separately.



STARMET TOOTH-ADAPTER SYSTEM



Our proven hammerless tooth-adapter system guarantees increased productivity and maximum reliability for excavators, wheel loaders and draglines even in the roughest and toughest mining conditions.

Benefits and Features



SHORT AND SAFE DOWNTIMES

Changeout of our teeth is fast and safe thanks to our **hammerless locking**. It is intuitive and easy to use and offers excellent retention thus preventing tooth loss.



HIGHER PRODUCTIVITY

Our **self-sharpening designs** offer a high level of penetration throughout their wear life, improving your machine's performance.



LONGER OPERATIONAL TIME

Due to the **optimal wear material ratio and wear distribution**, our G.E.T. last longer, reducing your operating costs.



OPTIMAL PERFORMANCE

Thanks to our **wide product range**, we are able to fit almost every machine in the market and to offer specific tooth designs for each application.

Excavator & Dragline Tooth Designs

STARMET										
TOOTH DESIGN	COAL (C)	CHISEL EXTRA (CX)	EXTRA (E1)	EXTRA X (EX)	EXTRA XX (EXX)	IMPACT (I)	PENETRATION (P)	UNIVERSAL (U)	VECTOR (V)	DOUBLE VECTOR (W)
PENETRATION	●●●	●○○	●●○	●●○	●○○	●○○	●●○	●●○	●●●	●●●
ABRASION	○○○	●●○	●●○	●●●	●●●	●○○	●○○	●●○	●○○	●○○
IMPACT	○○○○	●●○○	●●○○	●●○○	●●○○	●●●●	●●●○	●●○○	●○○○	●○○○

Wheel Loader Tooth Designs

STARMET					
TOOTH DESIGN	ABRASION (A)	ABRASION X (AX)	DELTA (D)	HEAVY (H)	IMPACT (I)
PENETRATION	●●○	●●○	●●●	●○○	●●○
ABRASION	●●○	●●○	●●○	●●●	●○○
IMPACT	●●○○	●○○○	●○○○	●○○○	●●●●

Choose Your Adapter Option



CENTRAL ADAPTER (WC / WLD / WRD)



STRADDLE ADAPTER (WS)



CORNER ADAPTER (WL / WR)

Wear Caps for Additional Protection

All the adapters can optionally be equipped with a mechanical wear cap. Three different designs are available to protect efficiently the weld-on adapter against higher wear.



M / M-A



MS



ML



STARMET ROPE SHOVELS



STARMET ROPE SHOVELS is a product line that is specially orientated on the various demands of Rope Shovel applications.

Choose between a hammerless and conventional locking that come in 3-part sets consisting of a c-clamp, wedge and inverted wedge. Additional accessories include oversized wedges for deformed lips.



Watch our 3D Technology Video!
Ratchet Hammerless Locking

Benefits and Features



SHORT AND SAFE DOWNTIMES

Changeout of our teeth is fast and safe thanks to our **hammerless locking**. It is intuitive and easy to use and offers excellent retention thus preventing tooth loss.



HIGHER PRODUCTIVITY

Our **self-sharpening designs** offer a high level of penetration throughout their wear life, improving your machine's performance.



LONGER OPERATIONAL TIME

Due to the **optimal wear material ratio** and wear distribution, our G.E.T. last longer, reducing your operating costs.



WH10*
WH12*
WR6*

OPTIMAL PERFORMANCE

Thanks to our **wide product range**, we are able to fit almost every machine in the market and to offer specific tooth designs for each application.

Find Your Tooth Design

STARMET ROPE SHOVELS							
TOOTH DESIGN	EXTRA (E1)	(RS)	(RSP)	(RSS)	(RSU)	(RSX)	(RSXX)
PENETRATION	●●○	●●●	●●●	●●○	●●○	●●○	●○○
ABRASION	●●○	●●○	●●○	●●○	●●●	●●●	●●●
IMPACT	●●○○	●●○○	○○○○	●●●●	●●●○	●●●○	●●●○

Choose Your Adapter Option

MTG offers two adapter versions to answer the demand for different Rope Shovel applications which are both available for WHISLER10*, WHISLER12* and Wide Radius (WR6*) lip designs and that can be used either with conventional or hammerless locking.



HEAVY-DUTY ADAPTER

- Specially designed for hard digging conditions.
- Reinforced bottom leg and two bridges increase the adapter's reliability.
- Additional wear material at the lower part of the bottom leg increases wear life.
- Weldable bridges at the end of both legs prevent the adapter legs from opening under very high mechanical stress.



STANDARD ADAPTER

- For applications in low to medium abrasive terrains.
- Optimal wear-ratio to reduce weight and costs while increasing performance.
- Optionally with mechanical wear caps to protect against higher impacts.

Wear Caps for Additional Protection

The adapters can optionally be equipped with a mechanical wear cap. Two different wear cap designs are available to protect efficiently depending on the terrain's abrasion level and type of application.



M



MX



PROMET LIP SHROUDS

Lip protection solutions for different mining applications with a reliable hammerless locking.

Benefits and Features



MAXIMUM RELIABILITY

Our premium steels made in Europe have proved **robustness and resistance**, even in the most demanding applications.



LONGER OPERATIONAL TIME

Due to the **optimal wear material ratio and wear distribution** of our protectors' designs, they last longer, reducing the operating costs.



SHORT AND SAFE DOWNTIMES

Our innovative and easy-to use **hammerless lockings** enhance the safety and efficiency of your operations, with shorter downtimes.



INCREASED PRODUCTIVITY

The range of **self-sharpening** lip and wing shrouds boosts the bucket efficiency while the **optimal protection** increases its capacity volume.

Lip Shrouds for Cast Lips

Especially designed for the TERRA range, the PROMET lip shrouds optimally protect the cast lip to increase wear life thus reducing rebuild needs. Different lip shroud designs are available that either contribute to a better penetration or are especially designed for heavy-duty applications that provide more resistance against impacts and abrasion.



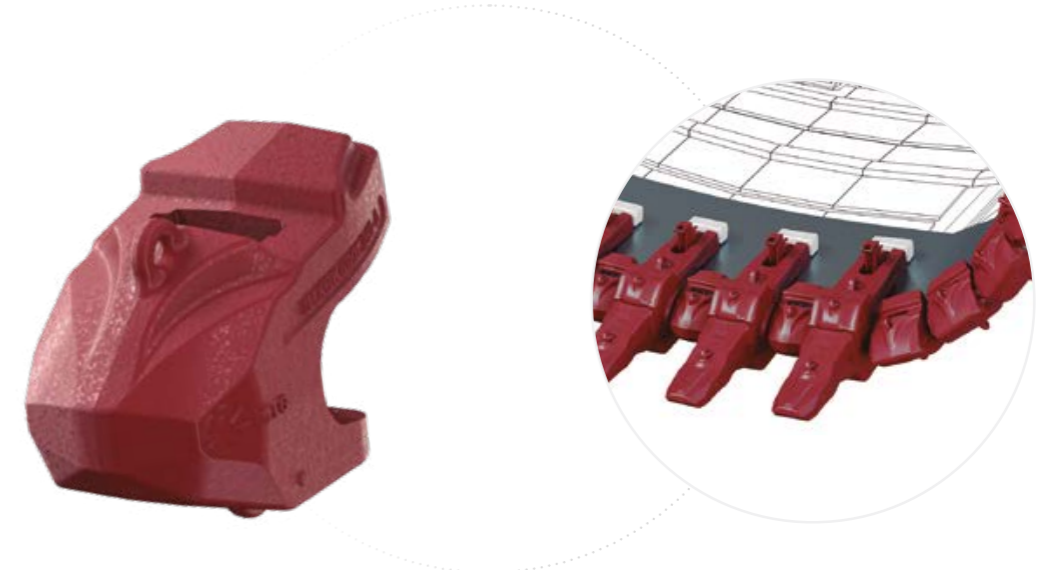
Lip Shrouds for Plate Lips

PROMET shrouds for plate lips are especially designed for excavator and wheel loader applications and are available in central or left / right delta designs.



Lip Shrouds for Rope Shovels

The PROMET shroud solution for Rope Shovels is especially designed for BK600* wide radius lip designs.





PROMET WING SHROUDS

Wing protection solutions for different mining applications with a reliable hammerless locking.

Benefits and Features



MAXIMUM RELIABILITY

Our premium steels made in Europe have proved **robustness and resistance**, even in the most demanding applications.



LONGER OPERATIONAL TIME

Due to the **optimal wear material ratio and wear distribution** of our protectors' designs, they last longer, reducing the operating costs.



SHORT AND SAFE DOWNTIMES

Our innovative and easy-to use **hammerless lockings** enhance the safety and efficiency of your operations, with shorter downtimes.



INCREASED PRODUCTIVITY

The range of **self-sharpening** lip and wing shrouds boosts the bucket efficiency while the **optimal protection** increases its capacity volume.

UX Wing Shroud (60-140 mm)

The extremely robust design with 70% wear material ratio is ideal for heavy-duty mining applications and especially resistant in very abrasive soils. The PROMET II locking based on pin and retainer provides maximum reliability and offers quick and safe change-outs.



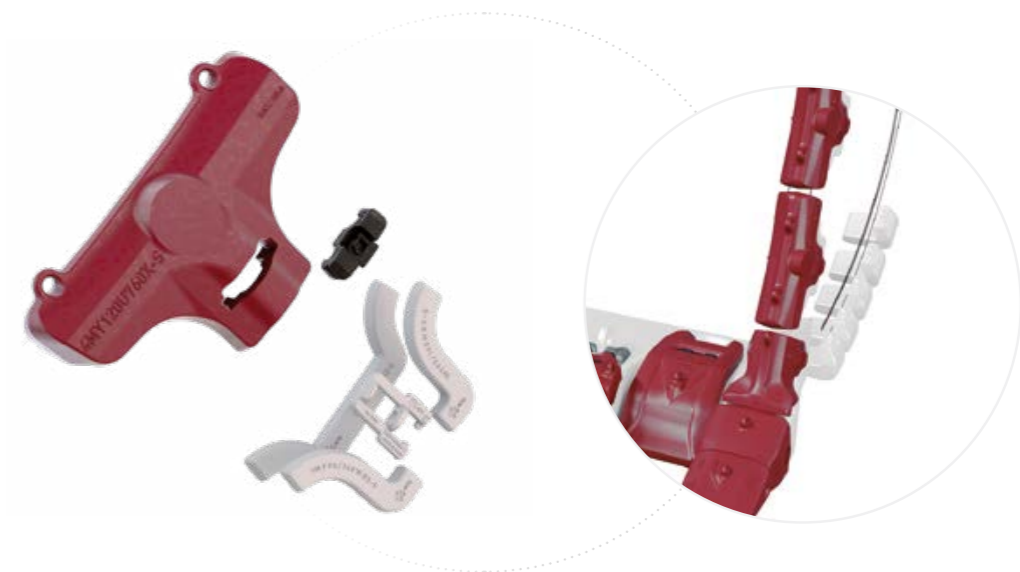
UX-S Wing Shroud (80-140 mm)

The UX-S wing shrouds are especially designed for bigger buckets with a sidewall thickness of 80 to 140 mm. The robust and symmetrical design provides maximum resistance in heavy-duty applications and can be exchanged between both sides for longer wear life.

The innovative PROMET III locking system does not require sidewall holes. The weld-on base + locking in combination with weld-on stoppers provide maximum reliability while also allowing quick change-outs.

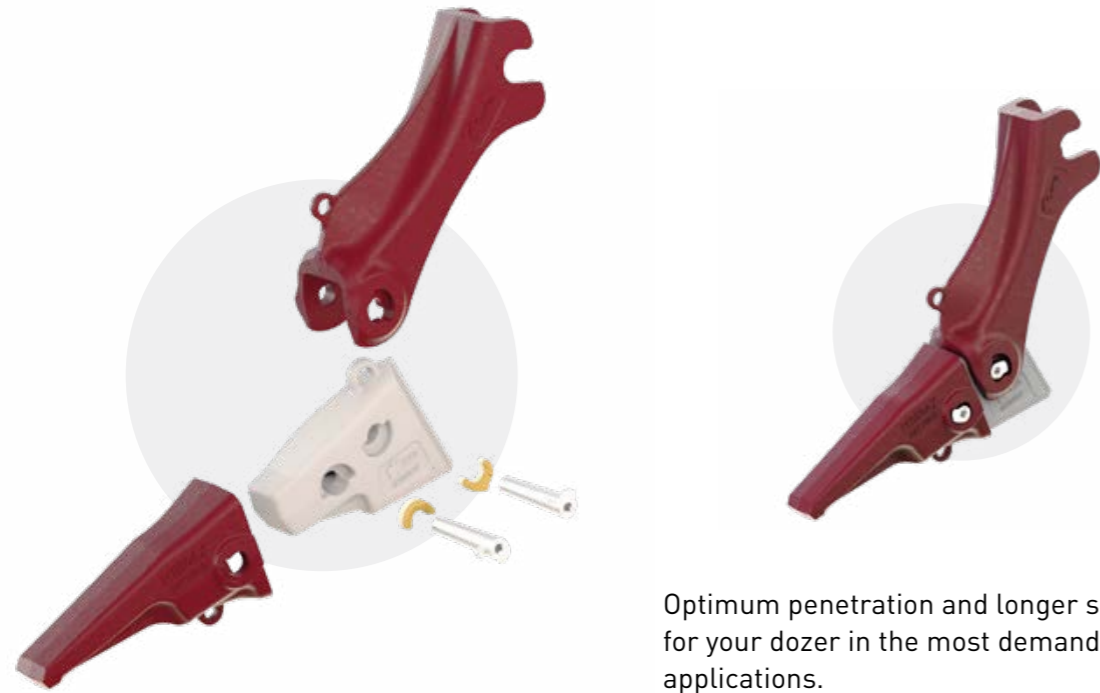
U Wing Shroud (≤60 mm)

Reversible wing shroud design with 70% wear material ratio for standard application and for side wall thicknesses up to 60 mm. The PROMET II locking based on pin and retainer provides maximum reliability and offers quick and safe change-outs.





OUR RIPPER SOLUTION



Optimum penetration and longer service life for your dozer in the most demanding ripping applications.

Benefits and Features



MAXIMUM RELIABILITY

Our steels are designed to withstand the highest level of mechanical stress. The low level of impurities and the specific heat treatment optimize the **hardness / toughness ratio**.



HIGHER PRODUCTIVITY

Our tooth profiles are **designed to keep sharp** throughout their wear life, guaranteeing the highest level of penetration in order to optimize your machine's performance.



LONGER OPERATIONAL TIME







Due to the **optimal wear material ratio** and its distribution, our ripper boots last longer, reducing downtimes and operating costs.



SHORT AND SAFE DOWNTIMES

Changeout of our teeth and shank protectors is quick and safe thanks to their **hammerless locking system**. It is intuitive and easy to use and offers excellent retention, thus preventing their loss.

Find Your Tooth Design

RIPMET						
TOOTH DESIGN						
	ABRASION (AX)	IMPACT (II)	PENETRATION (P)	PENETRATION (PX)	STANDARD (S)	VECTOR (V)
PENETRATION	●○○	●●○	●●●	●●○	●●○	●●○
ABRASION	●●●	●○●	●●○	●●○	●●○	●●○
IMPACT	●○○○	●●●●	●●○○	●●○○	●○○○	●○○○

Choose Your Adapter Option

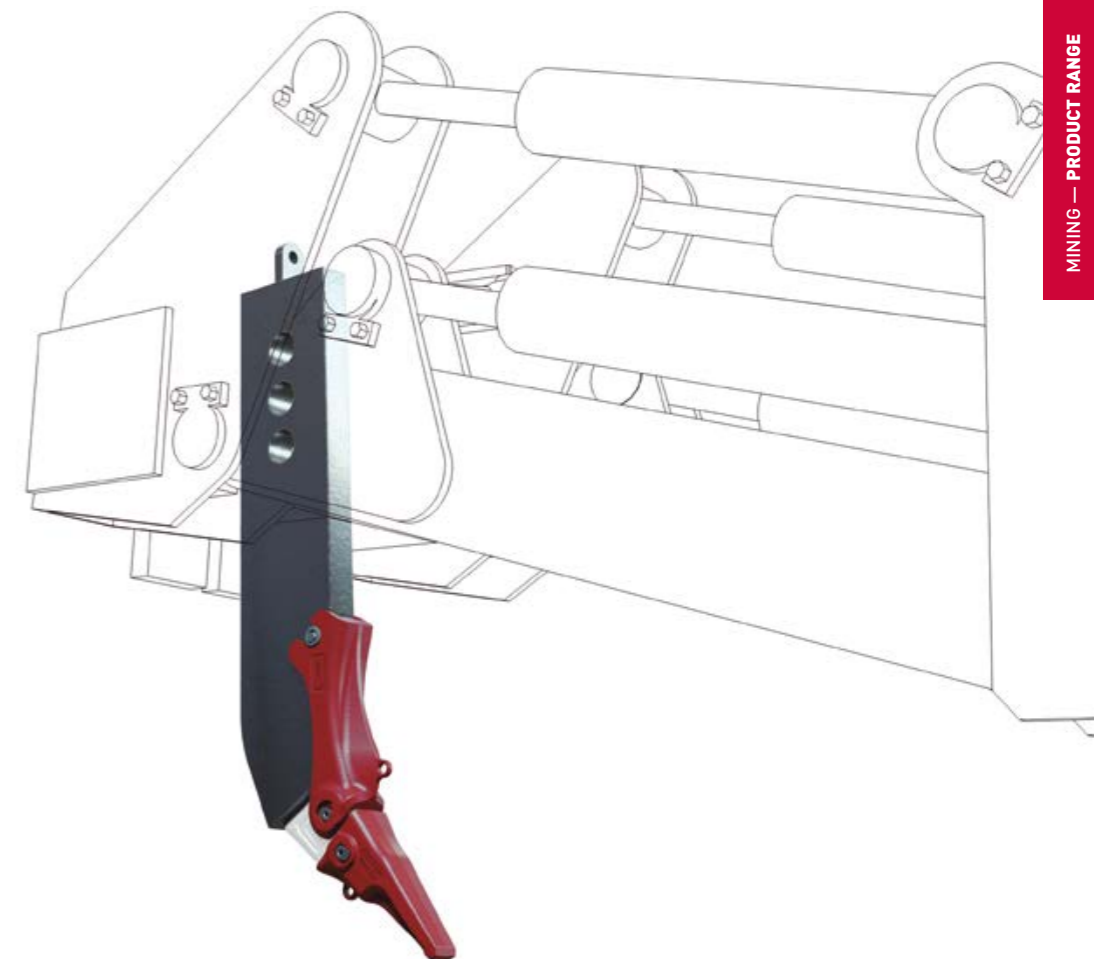
With the RIPMET adapter (WA) and the weld-on nose (WN), all sizes of dozer shanks can be equipped with MTG's ripper solutions either for first installment or maintenance purposes.



WA



WN





ROPE SHOVEL SHROUDS

For Hard Rock (HR) Dipper Designs



Lip shrouds available with hammerless locking.



Lower and upper wing shrouds available with hammerless locking.

For Wide Radius (WR) Dipper Designs



WH12* lip shrouds available with hammerless locking.



BK600* lip shrouds available with conventional locking pin.

For BI & BII Dipper Designs



Lip shrouds available with hammerless locking.

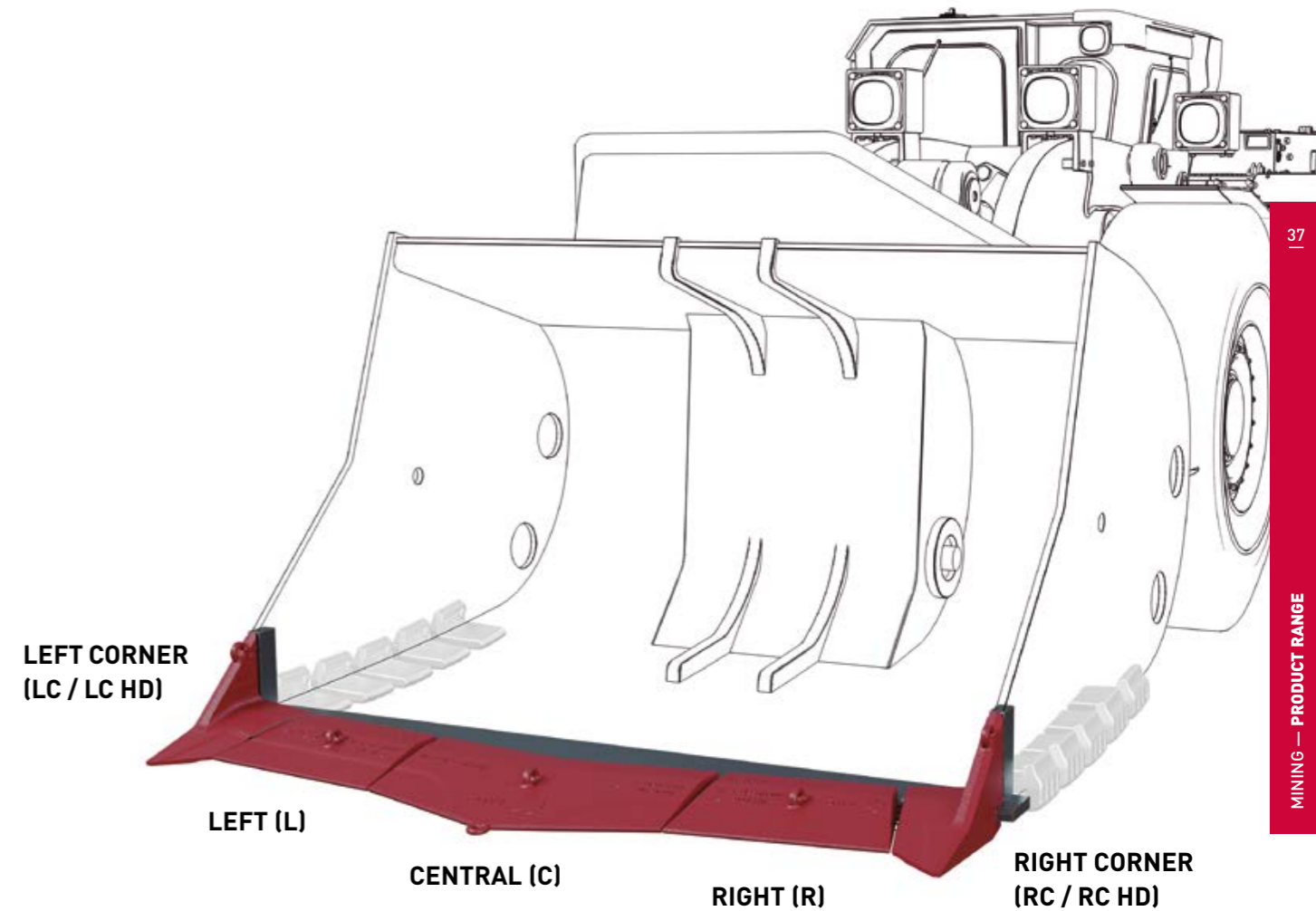


Lower and upper wing shrouds available with hammerless locking.



LHD LIP SHROUDS

Made of our exclusive and extra resistant steel, LHD weld-on lip shrouds are especially designed for underground mining.



Choose Your Corner Lip Shroud

Depending on your underground mining applications and terrain, you can choose between a standard (LC / RC) or a heavyduty (LC HD / RC HD) corner adapter for higher resistance and longer operation times.



RC



RC HD



BOLT-ON LOADER SHROUDS

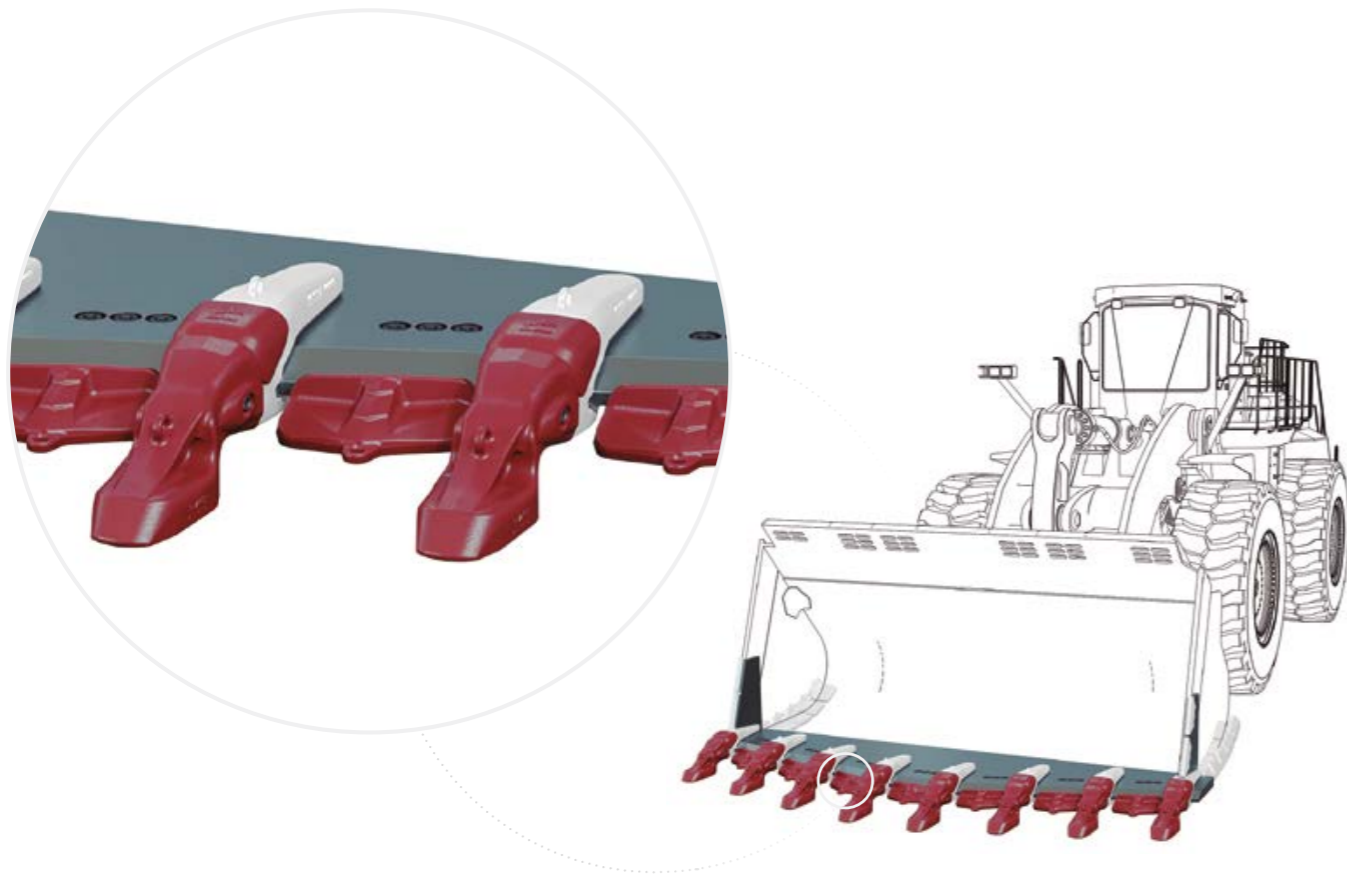
The bolt-on half-arrow lip shrouds are an alternative lip protection especially designed for mining loaders. Available as Standard and Heavy-Duty version and suitable for central or delta left / right lip positions.



BCX



BLDX / BLRX



COMPLEMENTARY SHROUDS



WELD-ON LIP SHROUDS

Suitable for plate lip excavators with versions for central or delta left / right lip positions.



WELD-ON WING SHROUDS

Lateral weld-on protectors as standard or heavy-duty option for plate lip excavators and wheel loaders.



WELD-ON HEEL SHROUDS

Complementary bucket protection for excavators, loaders and LHDs as standard or heavy-duty version.



DIRECT REPLACEMENT FOR DOZER

Quick and safe replacements through an innovative locking system that provides excellent retention.



CATERPILLAR® RIPPER



KOMATSU® RIPPER



Country:
Australia, Jellinbah

Terrain:
Coal Overburden

Abrasion level:
Low

Impact level:
Medium

Machine

Brand: **HITACHI***
Model: **EX5600 - Back Hoe**
Machine type: **Excavator**
Weight: **550 t**

Bucket Configuration

TERRA: **1MT5CL169 TERRA**
TWINMET: **MT4W / 5MT54**
PROMET (Lip): **4MX5CL169T-P**
PROMET (Wing): **4MY120U760X**



Country:
Australia, Coppabella

Terrain:
Coal Overburden

Abrasion level:
Low

Impact level:
Medium

Machine

Brand: **CATERPILLAR***
Model: **CAT6060 - Back Hoe**
Machine type: **Excavator**
Weight: **599 t**

Bucket Configuration

TERRA: **1MT5CL169 TERRA**
TWINMET: **MT4P / 5MT54**
PROMET (Lip): **4MX5CL169T**
PROMET (Wing): **4MY140U800X**





Country:
Mexico

Terrain:
Clay and Limestone

Abrasion level:
Low

Impact level:
High

Machine

Brand: **HITACHI***
Model: **EX5600**
Machine type: **Excavator**
Weight: **550 t**

Bucket Configuration

TERRA: **1MT5CL169 TERRA**
TWINMET: **MT4W**
5MT54
PROMET (Lip): **4MX5CL169T-P**
PROMET (Wing): **4MY120U760X**



Country:
Brazil

Terrain:
Iron Ore

Abrasion level:
High

Impact level:
High

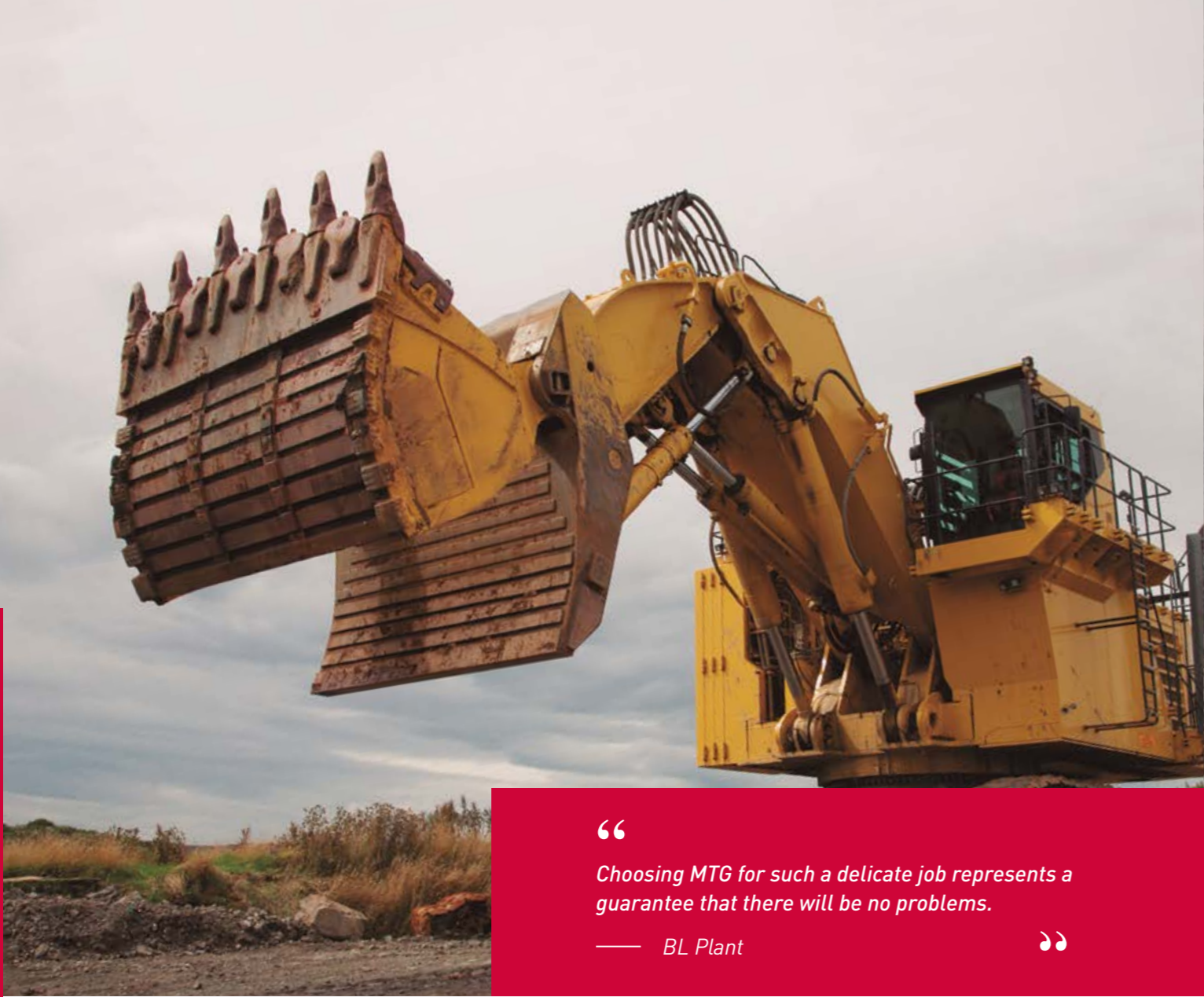
Machine

Brand: **CATERPILLAR***
Model: **7495 HR**
Machine type: **Rope Shovel**
Weight: **1.390 t**

Bucket Configuration

STARMET **MA500RSX**
ROPE SHOVELS: **1MA500WH12-0**
PLUS (Lip): **4MA500WH12M**
4MLWH12BC250
PLUS (Wing): **4MBWH12BLL230 / BLR230**
4MBWH12BUL230 / BUR230





“
 Choosing MTG for such a delicate job represents a guarantee that there will be no problems.
 — BL Plant ”



Country: **Scotland**
 Terrain: **Clay and Limestone**
 Abrasion level: **Low**
 Impact level: **High**

Machine

Brand: **KOMATSU***
 Model: **PC3000**
 Machine type: **Excavator**
 Weight: **250 t**

Bucket Configuration

STARMET: **MA500E1**
 PROMET (Lip): **4MXB60X626**
 PROMET (Wing): **4MY90U626X**



Country: **Germany**
 Terrain: **Granite, Sand, Grit**
 Abrasion level: **High**
 Impact level: **High**

Machine

Brand: **KOMATSU***
 Model: **PC700**
 Machine type: **Excavator**
 Weight: **70 t**

Bucket Configuration

STARMET: **MA120EX**
1MA120WC90/M
 PROMET (Lip): **4MX90L240-14A**
4MX90R240-14A
 PROMET (Wing): **4MY50U600**
 PLUS (Heel): **4MB300ULH**





Country: **France**
Terrain: **Gneiss Granite**

Abrasion level: **High**
Impact level: **Medium**

Machine

Brand: **CATERPILLAR***
Model: **992K**
Machine type: **Wheel Loader**
Weight: **100 t**

Bucket Configuration

STARMET: **MA120A**
1MA120WC70/M
4MA120HD-A
PROMET (Lip): **4MB70BCX-A**
4MB70BRDX-A
4MB70BLDX-A
PROMET (Wing): **4MY50U600**



Country: **Portugal**
Terrain: **Copper**

Abrasion level: **Medium**
Impact level: **High**

Machine

Brand: **EPIROC***
Model: **COPCO SCOOPTRAM**
Machine type: **ST14 LHD**
Weight: **38 t**

Bucket Configuration

PLUS LHD
Central: **4MLHD38C1050-7**
Left: **4MLHD38L696-7**
Right: **4MLHD38R696-7**
Left Corner: **4MLHD38LC189-7**
Right Corner: **4MLHD38RC189-7**





MTG

No limits innovation



mtgcorp.com



Download
Brochure



Follow Us
on LinkedIn

MTG HEADQUARTERS

📍 Carrer d'Àvila, 45
08005 Barcelona (Spain)
☎ (+34) 93 741 70 00
✉ info@mtg.es

MTG NORTH AMERICA

📍 4740 Consulate Plaza Drive
Houston, TX 77032 (USA)
☎ +1 (281) 872 1500
✉ info@mtgcorp.us

MTG AUSTRALIA

📍 16 – 18 Thorpe Close
Welshpool, WA, 6106 (AUS)
☎ +61 8 6248 6513
✉ info.australia@mtg.es

MTG Quality Certificates

